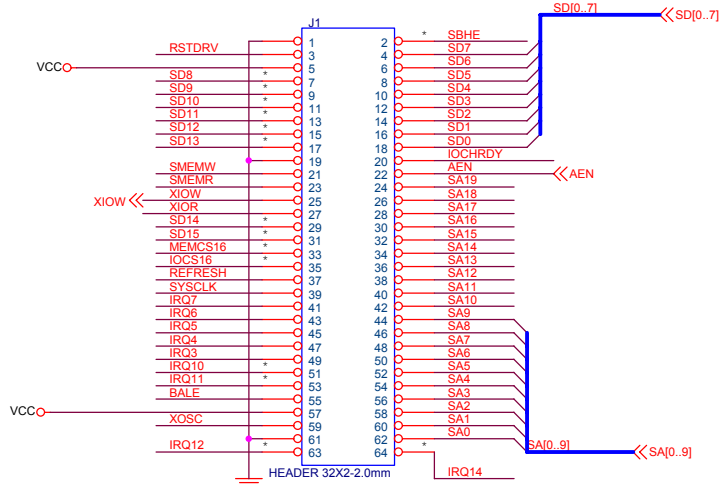
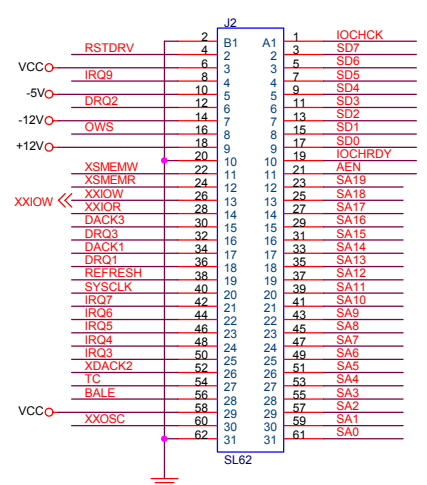


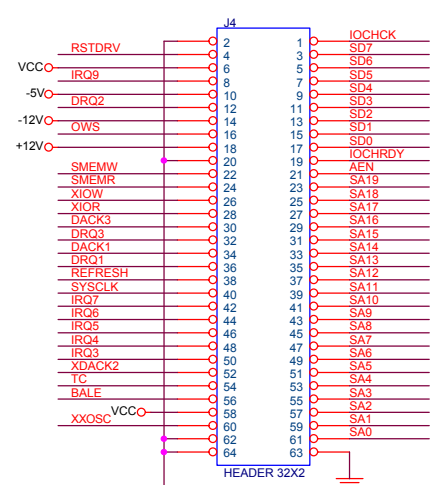
MITY-SOC



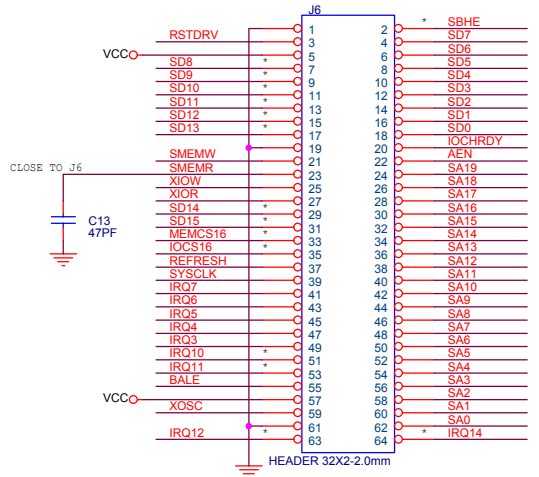
ISA



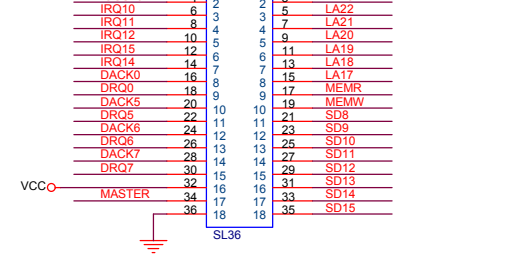
PC104



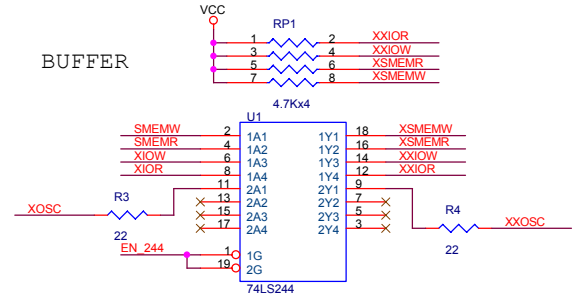
MITY-MITE-VGA



IDE

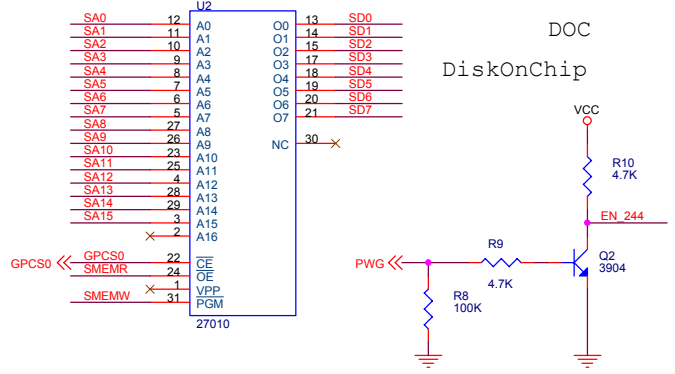


BUFFER

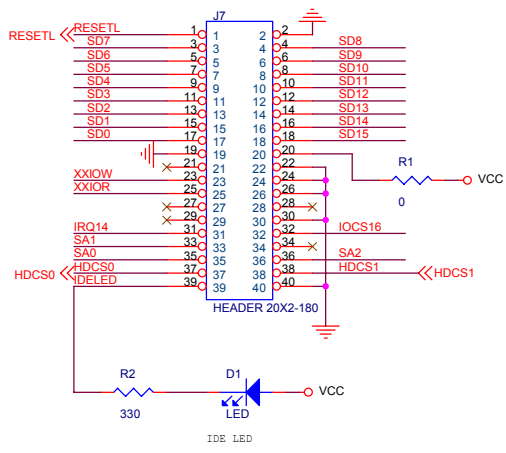


DOC

DiskOnChip



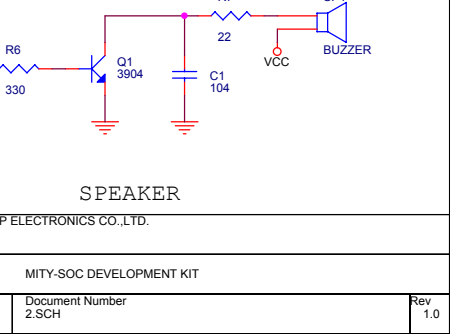
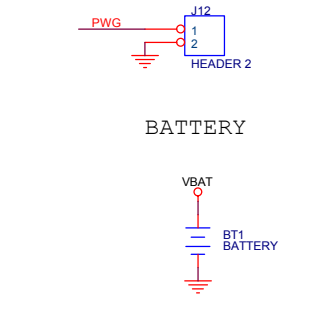
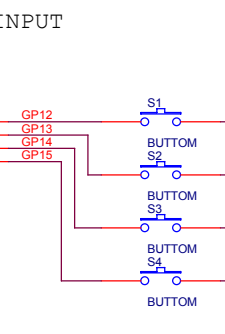
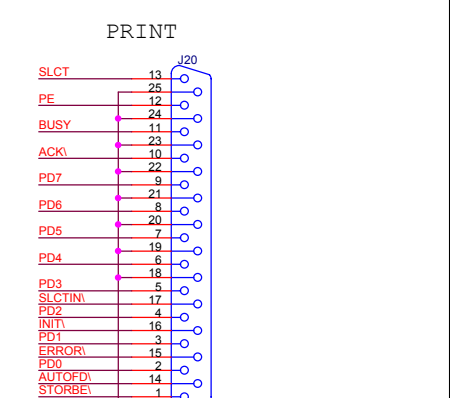
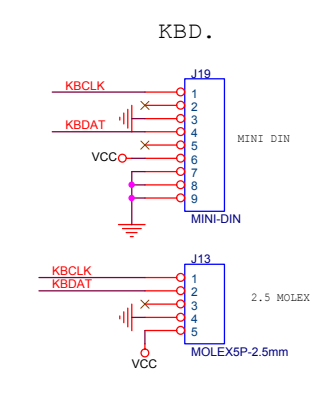
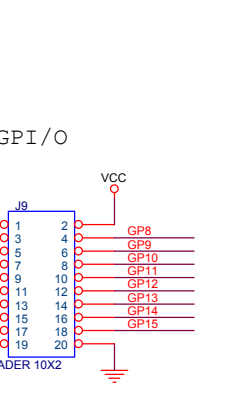
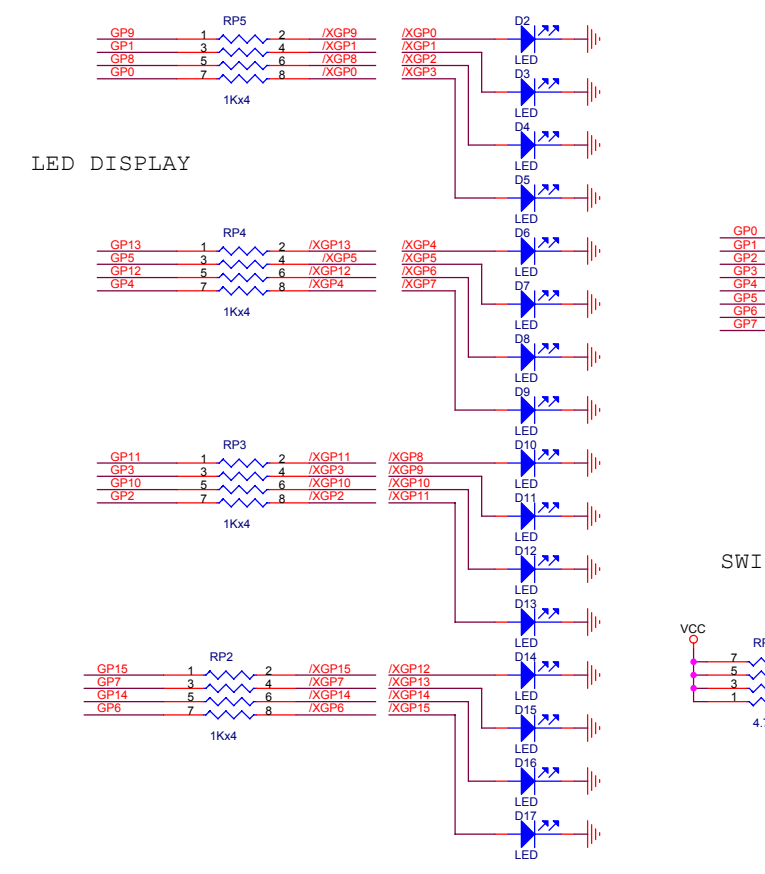
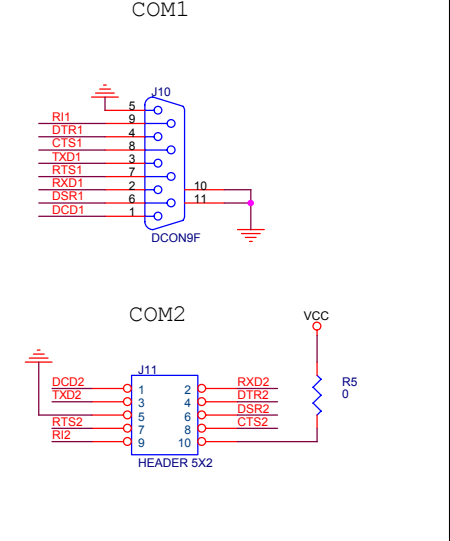
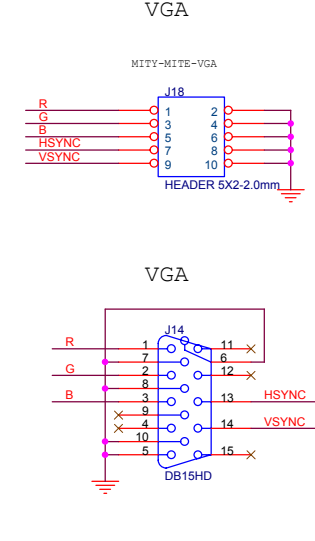
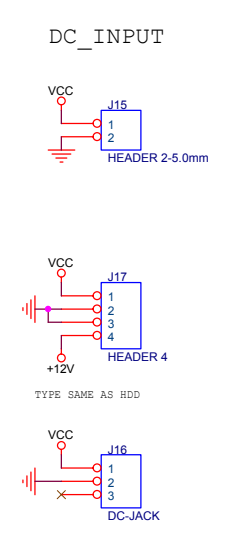
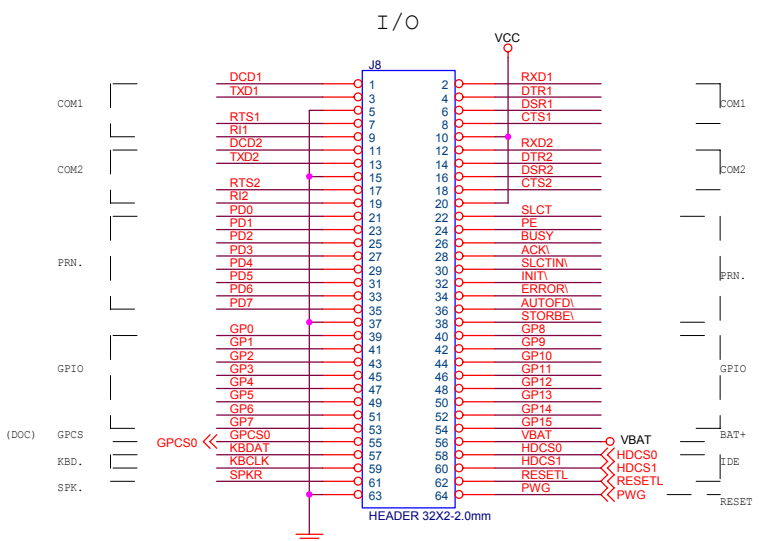
IDE

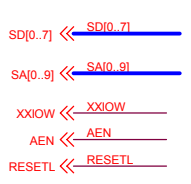


MITY-SOC DEVELOPMENT KIT  
PCB NO. DP62A

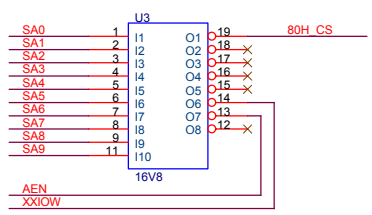
VER 1.1

DM&P ELECTRONICS CO.,LTD.		
Title MITY-SOC DEVELOPMENT KIT		
Size B	Document Number 1.SCH	Rev 1.1
Date: Wednesday, December 04, 2002	Sheet 1	of 3



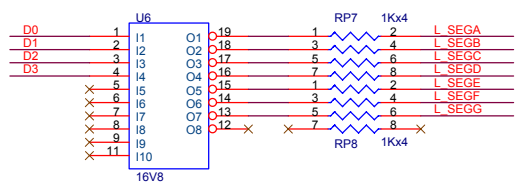


I/O DECODER



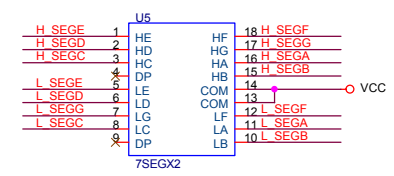
SOCKIT\_1.JED

LOW NIBBLE



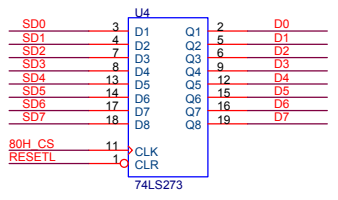
SOCKIT\_2.JED

80 PORT

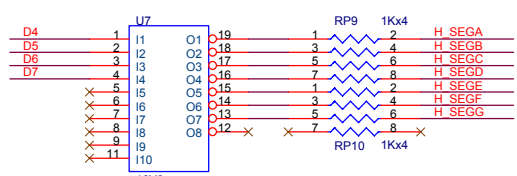


7 SEGMENT DISPLAY

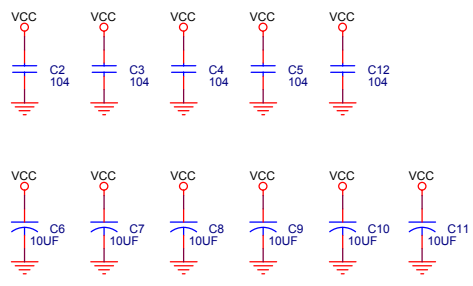
DATA LATCH



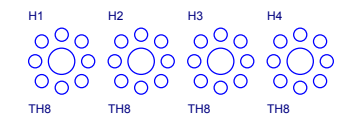
HIGH NIBBLE



SOCKIT\_2.JED



BYPASS



DM&P ELECTRONICS CO.,LTD.			
Title 80 PORT DISPLAY			
Size B	Document Number 3.SCH		Rev 1.0
Date:	Wednesday, December 04, 2002	Sheet	3 of 3