

CUSTOMER		
MODEL	WG12864A-TMC-V	
APPROVAL	BY:	DATA:

SALES BY	APPROVED BY	CHECKED BY	PREPARED BY

Contents

- 1.Module Classification Information
- 2.Precautions in use of LCD Modules
- 3.General Specification
- 4.Absolute Maximum Ratings
- 5.Electrical Characteristics
- 6.Optical Characteristics
- 7.Interface Description
- 8.Contour Drawing & Block Diagram
9. Timing Characteristics
- 10.Display Control Instruction
- 11.Detailed Explanation
- 12.Quality Assurance
- 13.Reliability
- 14.Backlight Information

1.Module Classification Information

W G 1 2 8 6 4 A • T M C • V
 ① ② ③ ④ ⑤ ⑥ ⑦ ⑧

- ① Type
- ② Display Type • H • Character Type, G • Graphic Type
- ③ Display Font • Character 128 words, 64 Lines.
- ④ Model serials no.
- ⑤ Backlight Type •
 - N • Without backlight
 - B • EL, Blue green
 - D • EL, Green
 - W • EL, White
 - F • CCFL, White
 - Y • LED, Yellow Green
 - A • LED, Amber
 - R • LED, Red
 - O • LED, Orange
 - G • LED, Green
 - T • LED, White
- ⑥ LCD Mode •
 - B • TN Positive, Gray
 - N • TN Negative,
 - G • STN Positive, Gray
 - Y • STN Positive, Yellow Green
 - M • STN Negative, Blue
 - F • FSTN Positive
 - T • FSTN Negative
- ⑦ LCD Polarizer Type/ Temperature range/ View direction
 - A • Reflective, N.T, 6:00
 - D • Reflective, N.T, 12:00
 - G • Reflective, W. T, 6:00
 - J • Reflective, W. T, 12:00
 - B • Transflective, N.T, 6:00
 - E • Transflective, N.T, 12:00
 - H • Transflective, W.T, 6:00
 - K • Transflective, W.T, 12:00
 - C • Transmissive, N.T, 6:00
 - F • Transmissive, N.T, 12:00
 - I • Transmissive, W. T, 6:00
 - L • Transmissive, W.T, 12:00
- ⑧ Special Code
 - V : Build in Negative Voltage ;

2.Precautions in use of LCD Modules

- (1) Avoid applying excessive shocks to the module or making any alterations or modifications to it.
- (2) Don't make extra holes on the printed circuit board, modify its shape or change the components of LCD module.
- (3) Don't disassemble the LCM.
- (4) Don't operate it above the absolute maximum rating.
- (5) Don't drop, bend or twist LCM.
- (6) Soldering: only to the I/O terminals.
- (7) Storage: please storage in anti-static electricity container and clean environment.

3.General Specification

Item	Dimension	Unit
Number of Characters	128 characters x 64 Lines	•
Module dimension	93 x 70.0 x 13.6(MAX)	mm
View area	72.0 x 40.0	mm
Active area	66.52 x 33.24	mm
Dot size	0.48 x 0.48	mm
Dot pitch	0.52 x 0.52	mm
LCD type	STN, Negative , Transmissive , Blue	
Duty	1/64	
View direction	6 o'clock	
Backlight Type	LED White	

4. Absolute Maximum Ratings

Item	Symbol	Min	Typ	Max	Unit
Operating Temperature	T_{OP}	0	•	+50	•
Storage Temperature	T_{ST}	-10	•	+60	•
Input Voltage	V_I	0	•	V_{dd}	V
Supply Voltage For Logic	V_{DD}	0	•	6.7	V
Supply Voltage For LCD	$V_{DD}-V_{SS}$	0	•	16.7	V
Supply Voltage For LCD	$V_{DD}-V_{OUT}$	•	•	-10	V

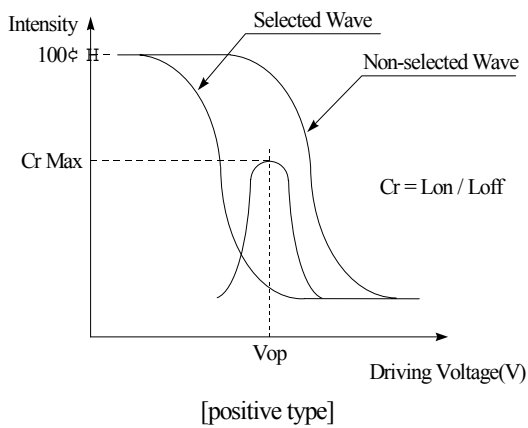
5. Electrical Characteristics

Item	Symbol	Condition	Min	Typ	Max	Unit
Supply Voltage For Logic	$V_{DD}-V_{SS}$	•	4.5	5.0	5.5	V
Supply Voltage For LCD	$V_{DD}-V_0$	$T_a=0$ •	•	•	10.1	V
		$T_a=25$ •	•	9.1	•	V
		$T_a=+50$ •	8.1	•	•	V
Input High Volt.	V_{IH}	•	$0.7V_{DD}$	•	V_{DD}	V
Input Low Volt.	V_{IL}	•	0	•	$0.3V_{DD}$	V
Output High Volt.	V_{OH}	•	2.4	•	•	V
Output Low Volt.	V_{OL}	•	•	•	0.4	V
Supply Current	I_{DD}	•	•	5.0	•	mA

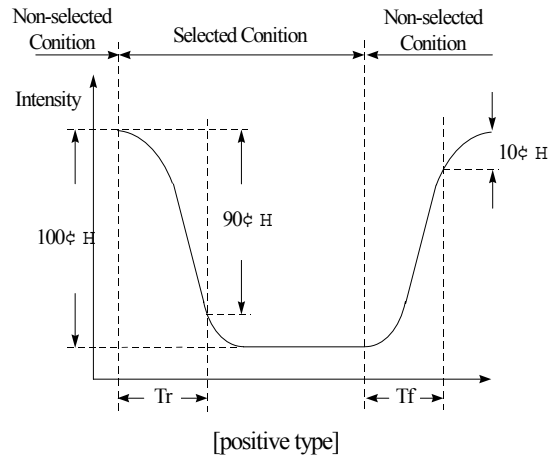
6. Optical Characteristics

Item	Symbol	Condition	Min	Typ	Max	Unit
View Angle	(V)•	CR•2	10	•	105	deg
	(H)•	CR•2	-30	•	30	deg
Contrast Ratio	CR	•	•	3	•	•
Response Time	T rise	•	•	200	300	ms
	T fall	•	•	200	300	ms

Definition of Operation Voltage (Vop)



Definition of Response Time (Tr, Tf)



Conditions :

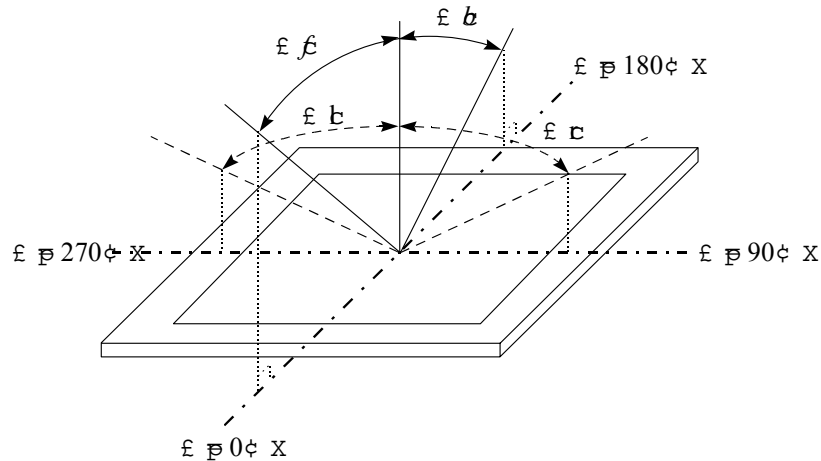
Operating Voltage : Vop

Viewing Angle(•••) : 0° • 0°

Frame Frequency : 64 HZ

Driving Waveform : 1/N duty , 1/a bias

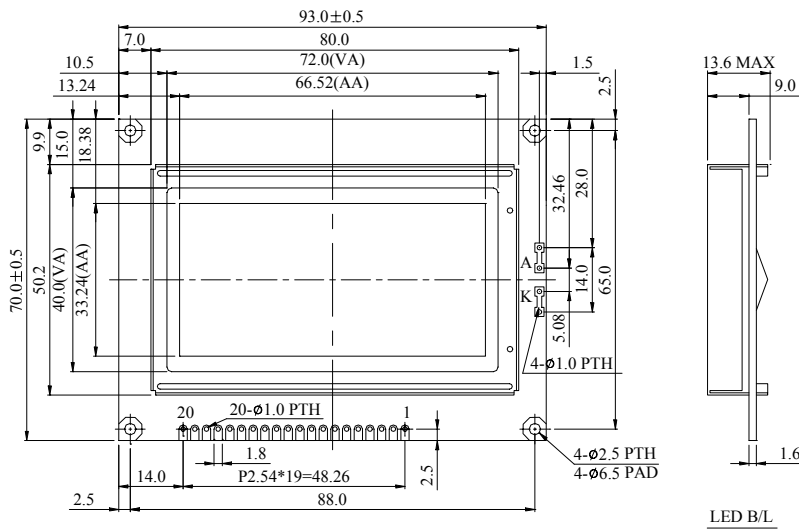
Definition of viewing angle(CR•2)



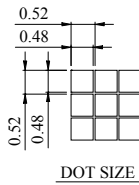
7.Interface Description

Pin No.	Symbol	Level	Description
1	V _{ss}	0V	Ground
2	V _{dd}	5.0V	Supply voltage for logic
3	V _o	(Variable)	Operating voltage for LCD
4	D/I	H/L	H: Data , L : Instruction
5	R/W	H/L	H: Read (MPU•Module) , L: Write (MPU•Module)
6	E	H	Enable signal
7	DB0	H/L	Data bit 0
8	DB1	H/L	Data bit 1
9	DB2	H/L	Data bit 2
10	DB3	H/L	Data bit 3
11	DB4	H/L	Data bit 4
12	DB5	H/L	Data bit 5
13	DB6	H/L	Data bit 6
14	DB7	H/L	Data bit 7
15	CS1	L	Select Column 1~ Column 64
16	CS2	L	Select Column 65~ Column 128
17	RES	L	Reset signal
18	V _{out}	•	Negative Voltage
19	A	•	Power Supply for LED backlight (+)
20	K	•	Power Supply for LED backlight (-)

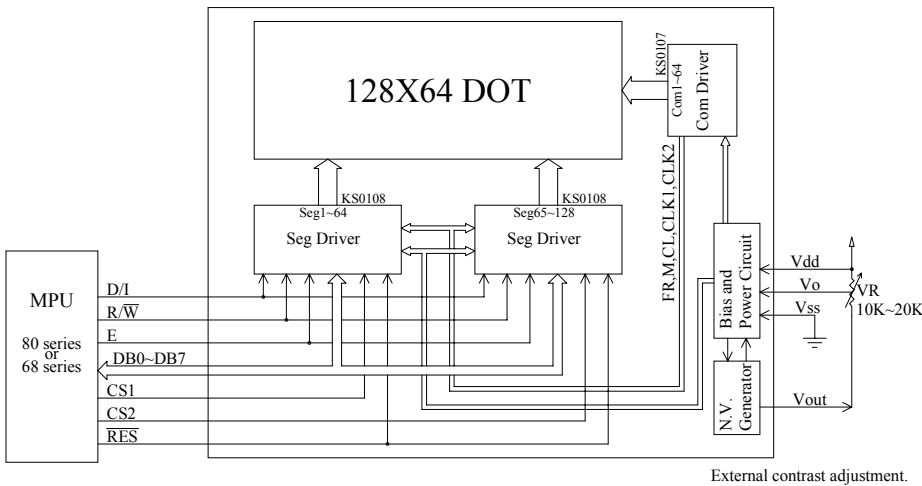
8. Contour Drawing & Block Diagram



PIN NO.	SYMBOL
1	Vss
2	Vdd
3	Vo
4	D/I
5	R/W
6	E
7	DB0
8	DB1
9	DB2
10	DB3
11	DB4
12	DB5
13	DB6
14	DB7
15	CS1
16	CS2
17	RES
18	Vout
19	A
20	K

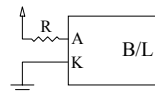


The non-specified tolerance of dimension is ±0.3mm.

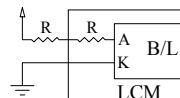


LED B/L Drive Method

1. Drive from A, K

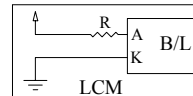


2. Drive from pin19, pin20



(Will never get Vee output from pin19)

3. Drive from Vdd, Vss



(Contrast performance may go down.)

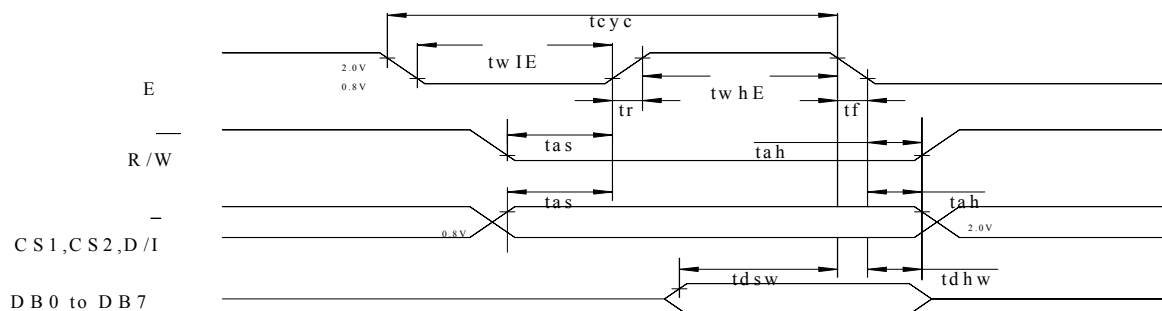
9. Timing Characteristics

MPU Interface

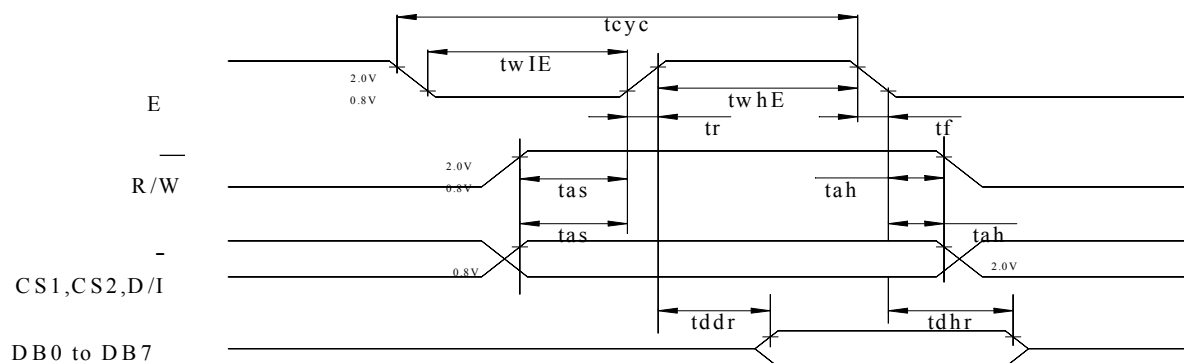
(T=25°C,

VDD=+5.0V±0.5)

Characteristic	Symbol	Min	Typ	Max	Unit
E cycle	tcyc	1000	•	•	ns
E high level width	twhE	450	•	•	ns
E low level width	twlE	450	•	•	ns
E rise time	tr	•	•	25	ns
E fall time	tf	•	•	25	ns
Address set-up time	tas	140	•	•	ns
Address hold time	tah	10	•	•	ns
Data set-up time	tdsw	200	•	•	ns
Data delay time	tddr	•	•	320	ns
Data hold time (write)	tdhw	10	•	•	ns
Data hold time (read)	tdhr	20	•	•	ns



MPU Write Timing



MPU Read Timing

10. Display Control Instruction

The display control instructions control the internal state of the KS0108B. Instruction is received from MPU to KS0108B for the display control. The following table shows various instructions

Instruction	D/I	R/W	DB7	DB6	DB5	DB4	DB3	DB2	DB1	DB0	Function	
Display ON/OFF	0	0	0	0	1	1	1	1	1	0/1	Controls the display on or off. Internal status and display RAM data are not affected. 0:OFF, 1:ON	
Set Address	0	0	0	1	Y address (0~63)						Sets the Y address in the Y address counter.	
Set Page (X address)	0	0	1	0	1	1	1	Page (0 ~7)			Sets the X address at the X address register.	
Display Start Line	0	0	1	1	Display start line(0~63)						Indicates the display data RAM displayed at the top of the screen.	
Status Read	0	1	B U S Y	0	ON/ OFF	R E S E T	0	0	0	0	Read status. BUSY 0:Ready 1:In operation ON/OFF 0:Display ON 1:Display OFF RESET 0:Normal 1:Reset	
Write Display Data	1	0	Display Data									Writes data (DB0:7) into display data RAM. After writing instruction, Y address is increased by 1 automatically.

Read Display Data	1	1	Display Data	Reads data (DB0:7) from display data RAM to the data bus.
-------------------	---	---	--------------	---

11.Detailed Explanation

Display On/Off

R/W	D/I	DB7	DB6	DB5	DB4	DB3	DB2	DB1	DB0
0	0	0	0	1	1	1	1	1	D

The display data appears when D is 1 and disappears when D is 0. Though the data is not on the screen with D = 0, it remains in the display data RAM. Therefore, you can make it appear by changing D = 0 into D = 1.

Display Start Line

R/W	D/I	DB7	DB6	DB5	DB4	DB3	DB2	DB1	DB0
0	0	1	1	A	A	A	A	A	A

Z address AAAAAA (binary) of the display data RAM is set in the display start line register and displayed at the top of the screen. Figure 2. shows examples of display (1/64 duty cycle) when the start line = 0-3. When the display duty cycle is 1/64 or more (ex. 1/32, 1/24 etc.), the data of total line number of LCD screen, from the line specified by display start line instruction, is displayed

Set Page (X Address)

R/W	D/I	DB7	DB6	DB5	DB4	DB3	DB2	DB1	DB0
0	0	1	0	1	1	1	A	A	A

X address AAA (binary) of the display data RAM is set in the X address register. After that, writing or reading to or from MPU is executed in this specified page until the next page is set. See Figure 1.

Set Y Address

R/W	D/I	DB7	DB6	DB5	DB4	DB3	DB2	DB1	DB0
0	0	0	1	A	A	A	A	A	A

Y address AAAAAA (binary) of the display data RAM is set in the Y address counter. After that, Y address counter is increased by 1 every time the data is written or read to or from MPU.

Status Read

R/W	D/I	DB7	DB6	DB5	DB4	DB3	DB2	DB1	DB0
0	0	Busy	0	On/Off	RESET	0	0	0	0

Busy

When busy is 1, the LSI is executing internal operations. No instruction are accepted while busy is 1, so you should make sure that busy is 0 before writing the next instruction.

ON/OFF

Shows the liquid crystal display condition: on condition or off condition.

When on/off is 1, the display is in off condition.

When on/off is 0, the display is in on condition

RESET

RESET = 1 shows that the system is being initialized. In this condition, no instructions except status read can be accepted.

RESET = 0 shows that initializing has system is in the usual operation condition.

Write Display Data

R/W	D/I	DB7	DB6	DB5	DB4	DB3	DB2	DB1	DB0
0	0	D	D	D	D	D	D	D	D

Writes 8-bit data DDDDDDDD (binary) into the display data RAM. The Y address is increased by 1 automatically.

Read Display Data

R/W	D/I	DB7	DB6	DB5	DB4	DB3	DB2	DB1	DB0
0	0	D	D	D	D	1	D	D	D

Reads out 8-bit data DDDDDDDD (binary) from the display data RAM. Then Y address is increased by 1 automatically.

One dummy read is necessary right after the address setting. For details, refer to the

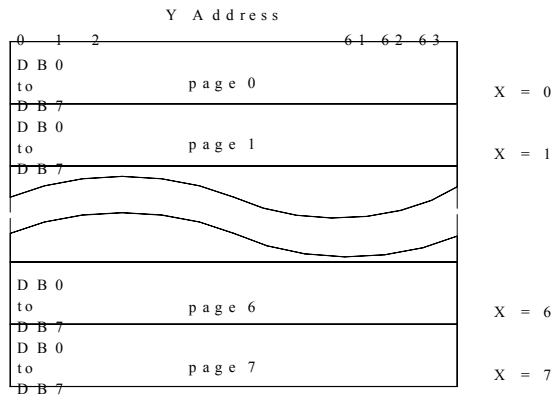
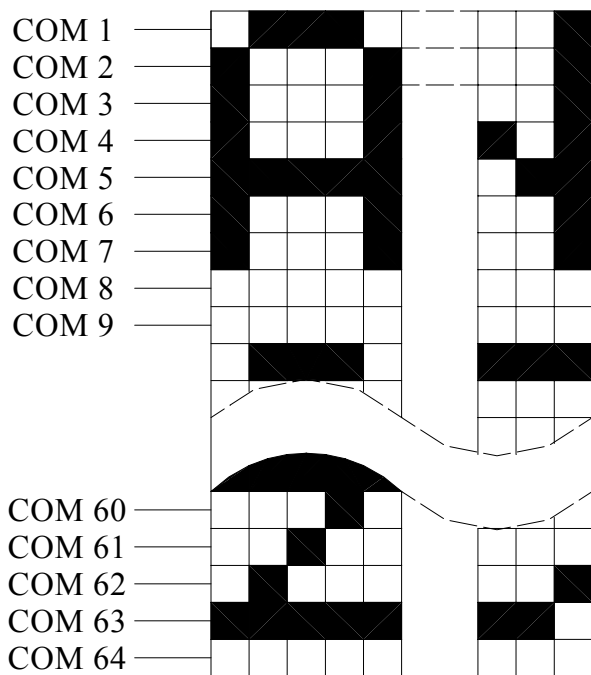
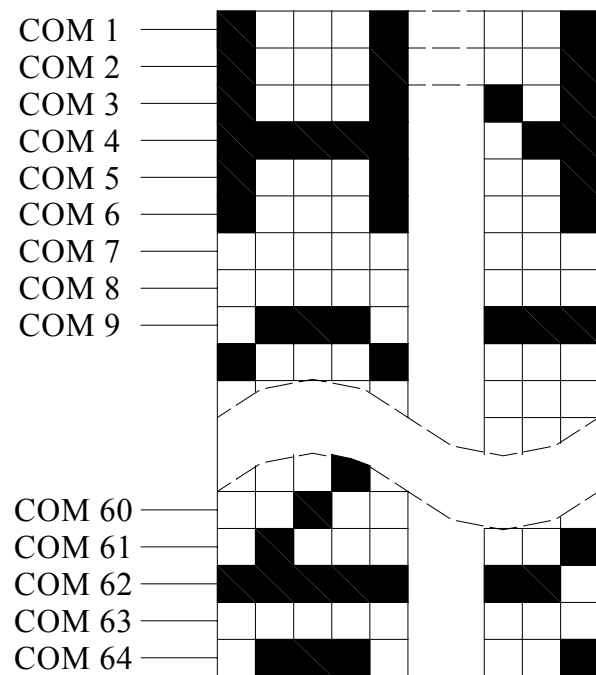


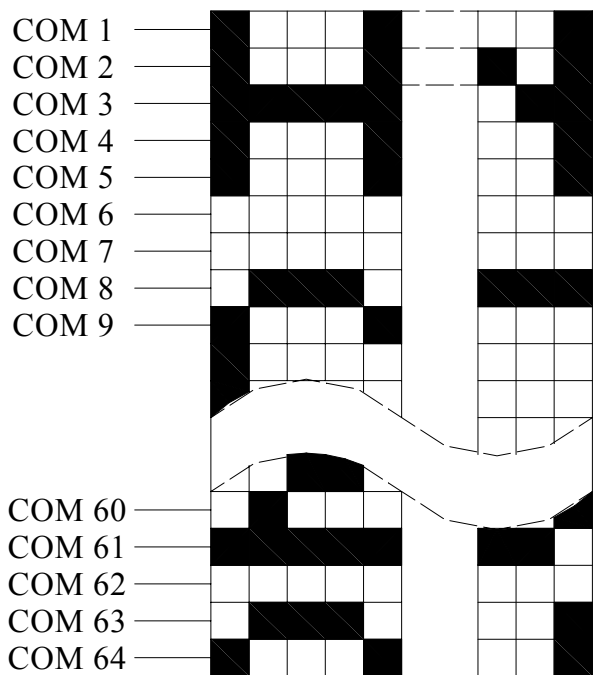
Figure 1.
 explanation of output register in “Function of Each Block”.



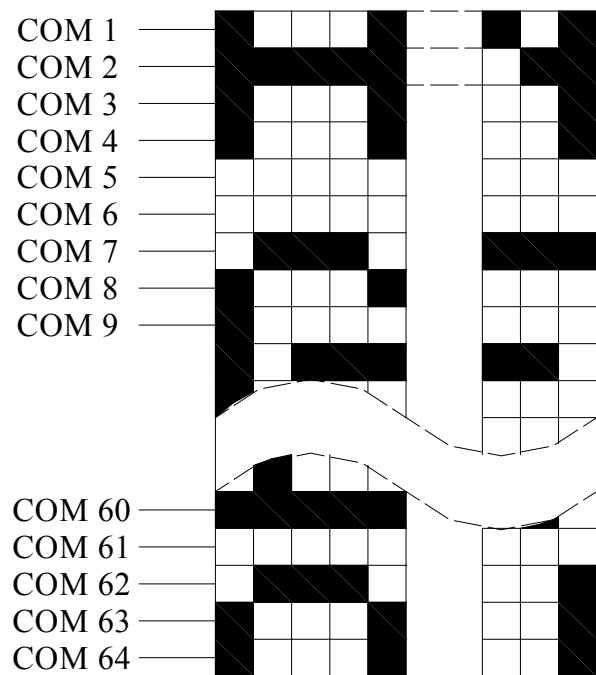
Start line = 0



Start line = 1



Start line = 3



Start line = 4

Figure 2.

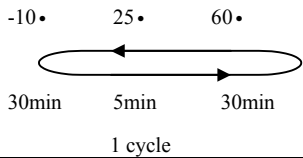
12. Quality Assurance

Screen Cosmetic Criteria

No.	Defect	Judgment Criterion	Partition																				
1	Spots	<p>A)Clear</p> <table border="0"> <tr> <td style="text-align: center;"><u>Size: d mm</u></td> <td style="text-align: center;"><u>Acceptable Qty in active area</u></td> </tr> <tr> <td style="text-align: center;">$d \leq 0.1$</td> <td style="text-align: center;">Disregard</td> </tr> <tr> <td style="text-align: center;">$0.1 < d \leq 0.2$</td> <td style="text-align: center;">6</td> </tr> <tr> <td style="text-align: center;">$0.2 < d \leq 0.3$</td> <td style="text-align: center;">2</td> </tr> <tr> <td style="text-align: center;">$0.3 < d$</td> <td style="text-align: center;">0</td> </tr> </table> <p>Note: Including pin holes and defective dots which must be within one pixel size.</p> <p>B)Unclear</p> <table border="0"> <tr> <td style="text-align: center;"><u>Size: d mm</u></td> <td style="text-align: center;"><u>Acceptable Qty in active area</u></td> </tr> <tr> <td style="text-align: center;">$d \leq 0.2$</td> <td style="text-align: center;">Disregard</td> </tr> <tr> <td style="text-align: center;">$0.2 < d \leq 0.5$</td> <td style="text-align: center;">6</td> </tr> <tr> <td style="text-align: center;">$0.5 < d \leq 0.7$</td> <td style="text-align: center;">2</td> </tr> <tr> <td style="text-align: center;">$0.7 < d$</td> <td style="text-align: center;">0</td> </tr> </table>	<u>Size: d mm</u>	<u>Acceptable Qty in active area</u>	$d \leq 0.1$	Disregard	$0.1 < d \leq 0.2$	6	$0.2 < d \leq 0.3$	2	$0.3 < d$	0	<u>Size: d mm</u>	<u>Acceptable Qty in active area</u>	$d \leq 0.2$	Disregard	$0.2 < d \leq 0.5$	6	$0.5 < d \leq 0.7$	2	$0.7 < d$	0	Minor
<u>Size: d mm</u>	<u>Acceptable Qty in active area</u>																						
$d \leq 0.1$	Disregard																						
$0.1 < d \leq 0.2$	6																						
$0.2 < d \leq 0.3$	2																						
$0.3 < d$	0																						
<u>Size: d mm</u>	<u>Acceptable Qty in active area</u>																						
$d \leq 0.2$	Disregard																						
$0.2 < d \leq 0.5$	6																						
$0.5 < d \leq 0.7$	2																						
$0.7 < d$	0																						
2	Bubbles in Polarize	<table border="0"> <tr> <td style="text-align: center;"><u>Size: d mm</u></td> <td style="text-align: center;"><u>Acceptable Qty in active area</u></td> </tr> <tr> <td style="text-align: center;">$d \leq 0.3$</td> <td style="text-align: center;">Disregard</td> </tr> <tr> <td style="text-align: center;">$0.3 < d \leq 1.0$</td> <td style="text-align: center;">3</td> </tr> <tr> <td style="text-align: center;">$1.0 < d \leq 1.5$</td> <td style="text-align: center;">1</td> </tr> <tr> <td style="text-align: center;">$1.5 < d$</td> <td style="text-align: center;">0</td> </tr> </table>	<u>Size: d mm</u>	<u>Acceptable Qty in active area</u>	$d \leq 0.3$	Disregard	$0.3 < d \leq 1.0$	3	$1.0 < d \leq 1.5$	1	$1.5 < d$	0	Minor										
<u>Size: d mm</u>	<u>Acceptable Qty in active area</u>																						
$d \leq 0.3$	Disregard																						
$0.3 < d \leq 1.0$	3																						
$1.0 < d \leq 1.5$	1																						
$1.5 < d$	0																						
3	Scratch	In accordance with spots cosmetic criteria. When the light reflects on the panel surface, the scratches are not to be remarkable.	Minor																				
4	Allowable Density	Above defects should be separated more than 30mm each other.	Minor																				
5	Coloration	Not to be noticeable coloration in the viewing area of the LCD panels. Back-light type should be judged with back-light on state only.	Minor																				

13. Reliability

Content of Reliability Test

Environmental Test			
Test Item	Content of Test	Test Condition	Applicable Standard
High Temperature storage	Endurance test applying the high storage temperature for a long time.	60• 200hrs	—
Low Temperature storage	Endurance test applying the high storage temperature for a long time.	-10• 200hrs	—
High Temperature Operation	Endurance test applying the electric stress (Voltage & Current) and the thermal stress to the element for a long time.	50• 200hrs	—
Low Temperature Operation	Endurance test applying the electric stress under low temperature for a long time.	0• 200hrs	—
High Temperature/ Humidity Storage	Endurance test applying the high temperature and high humidity storage for a long time.	60•,90%RH 96hrs	—
High Temperature/ Humidity Operation	Endurance test applying the electric stress (Voltage & Current) and temperature / humidity stress to the element for a long time.	50•,90%RH 96hrs	—
Temperature Cycle	Endurance test applying the low and high temperature cycle. 	-10•/60• 10 cycles	—
Mechanical Test			
Vibration test	Endurance test applying the vibration during transportation and using.	10~22Hz•1.5mmp-p 22~500Hz•1.5G Total 0.5hrs	—
Shock test	Constructional and mechanical endurance test applying the shock during transportation.	50G Half sign wave 11 msedc 3 times of each direction	—
Atmospheric pressure test	Endurance test applying the atmospheric pressure during transportation by air.	115mbar 40hrs	—
Others			
Static electricity test	Endurance test applying the electric stress to the terminal.	VS=800V,RS=1.5k• CS=100pF 1 time	—

***Supply voltage for logic system=5V. Supply voltage for LCD system =Operating voltage at 25•

14.Backlight Information

Specification

PARAMETER	SYMBOL	MIN	TYP	MAX	UNIT	TEST CONDITION
Supply Current	I _{LED}	80	100	120	mA	V=3.5V
Supply Voltage	V	3.4	3.5	3.6	V	•
Reverse Voltage	V _R	•	•	8	V	•
Luminous Intensity	I _V	•	25	•	cd/m ²	I _{LED} =100mA
Wave Length	•p	•	•	•	nm	I _{LED} =100mA
Life Time	•	•	100K	•	Hr.	V•3.6V
Color	White					