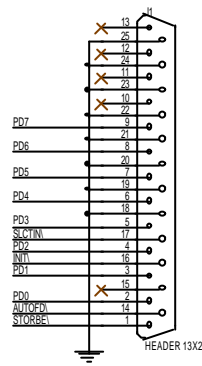
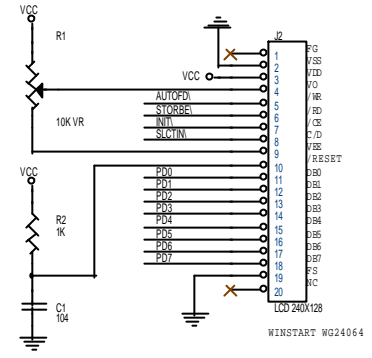


GRAPHIC LCM 240X64 WITH PRINT PORT

PRINT PORT



GRAPHIC LCM 240X64



J&M&P ELECTRONICS CO.LTD.		
Title LCM 240X64 DISPLAY WITH P RINT PORT		
Size B	Document Number L240X64A.SCH	Rev 1.0
Date: Wednesday, May 2 2 2002	Sheet 1 of 1	