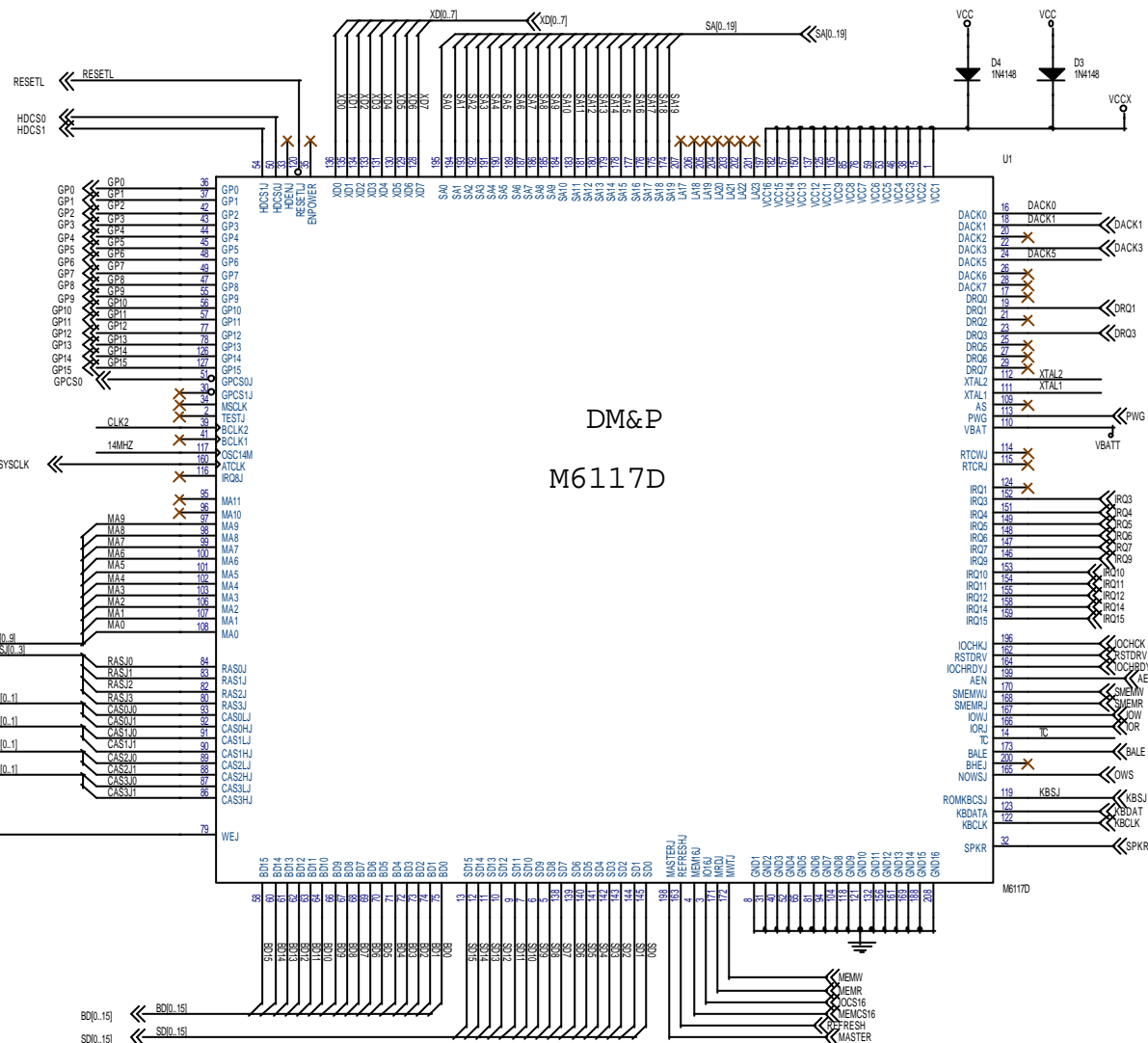
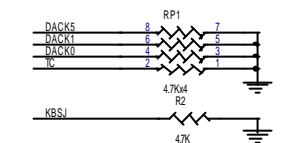
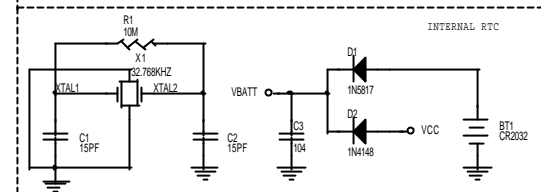
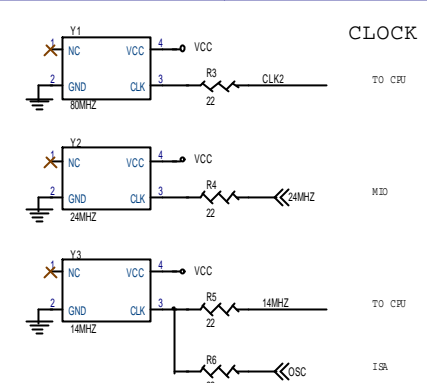


LINK
DP30A-2_SCH
DP30A-3_SCH
DP30A-4_SCH
DP30A-5_SCH
DP30A-6_SCH
DP30A-7_SCH
DP30A-8_SCH
DP30A-9_SCH



DM&P
M6117D



HARDWARE CONFIGURATION

DACK0 PULL LO FOR M6117D MODE

AEN MUST BE PULLED HI
TC MUST BE PULLED LO
KBSJ MUST BE PULLED LO
DACK5 MUST BE PULLED LO

WEBCAMERA
PCB NO. DP30A
VER 1.1