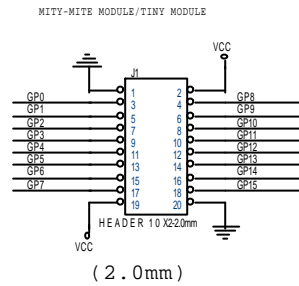
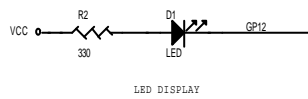
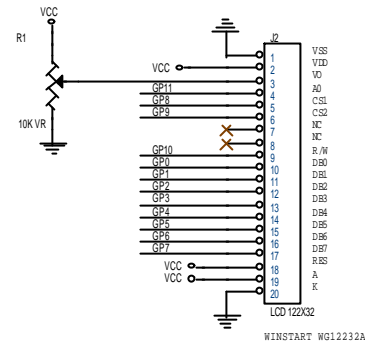


MITY-MITE DEMO BOX
LCD/LED/SW INTERFACE

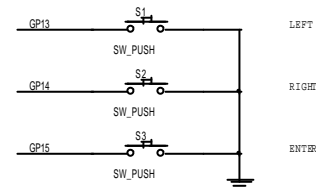
GPIO



GRAPHIC LCM 122X32



LED



SWITCH

GP0..GP11 : LCD INTERFACE
GP12 : LED OUTPUT
GP13..GP15: SWITCH INPUT

J&M&P ELECTRONICS CO.LTD.		
Title LCD 122X32 DISPLAY WITH GPIO		
Size B	Document Number L122X32.SCH	Rev 1.0
Date: Wednesday, December 12, 2001	Sheet 1	of 1